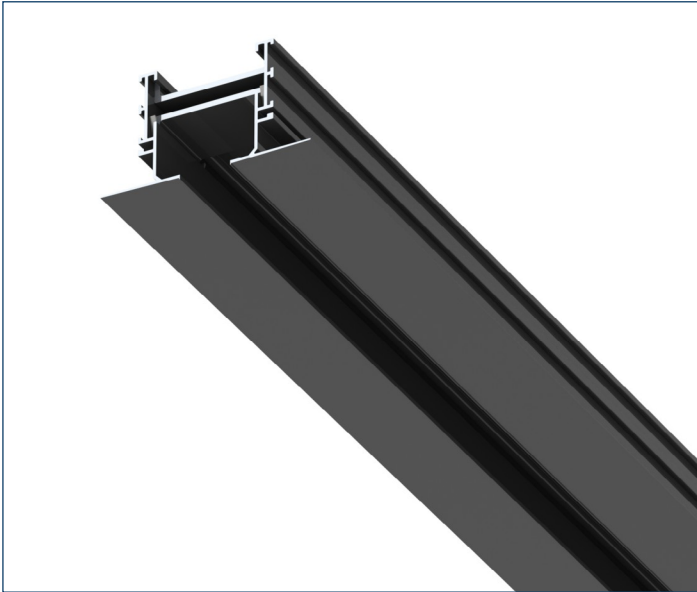


FL-LED

Flowbar with Integrated LED Lighting



DESCRIPTION

Introducing Apure's groundbreaking Minus Lighting Module designed exclusively for seamless integration with the Titus FL-10 Architectural Linear Diffuser. Upgrade your space with this cutting-edge LED Module and experience a harmonious blend of style and functionality as this innovative product takes architectural lighting to new heights, effortlessly merging the patented and award-winning functionality of the Minus Lighting Series with the elegance and performance of Flowbar™.

CONSTRUCTION

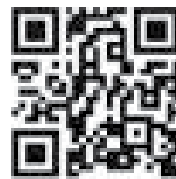
- » Extruded aluminum profile
- » 1" slot width for low profile appearance
- » Frameless border for clean, aesthetically pleasing ceilings

SPECIFICATIONS

- » Single slot, large capacity linear diffuser offers the designer an alternative to other multi-slot linear diffusers
- » Supports and fully integrates with Apure MINUS TWO lighting module
- » Reduces costs and installation with lighting and HVAC integrated
- » Manufactured entirely from heavy wall extruded aluminum
- » Available in 6-foot or 12-foot segments
- » Standard accessories ensure straight and true installations
- » All models available in HighThrow and JetThrow versions

RESOURCES

Scan QR Code or visit at apurelighting.com/resources/



Resources



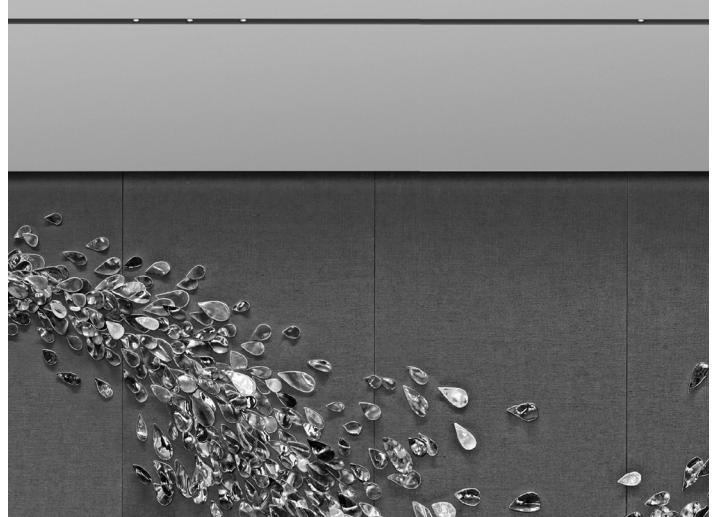
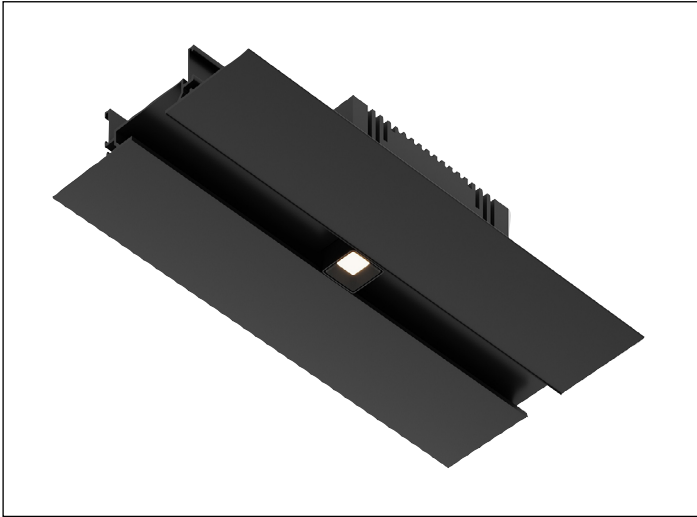
Titus FL-10



MINUS TWO

Lighting Module

apure.



DESCRIPTION

Introducing Apure's groundbreaking Minus Lighting Module designed exclusively for seamless integration with the Titus FL-10 Architectural Linear Diffuser. Upgrade your space with this cutting-edge LED Module and experience a harmonious blend of style and functionality as this innovative product takes architectural lighting to new heights, effortlessly merging the patented and award-winning functionality of the Minus Lighting Series with the elegance and performance of Flowbar™.

CONSTRUCTION

- » Extruded aluminum profile
- » Black powder coated finish
- » Includes connection Hardware and Minus Two LED Fixture

LIGHTING FIXTURE SPECIFICATIONS

- » Class 2 Fixture, Remote Powered up to 45m (150ft) max - driver specific
- » 19mm (3/4") recess depth required
- » 12W Cree LED
- » Up to 1000lm from source (IES files available upon request)
- » Available in Warm White (2700K) and Soft White (3000K)
- » Color Rendering Index ≥ 90
- » 2-step SDCM ellipse for accurate color consistency between fixtures
- » Full dimming range (0.1% to 100%) via remote power supply
- » Type IC Rated, Plenum Rated, Airtight Rated
- » Patented Product
- » Engineered and made in Germany

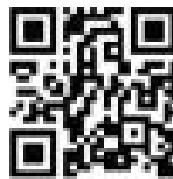
LISTINGS

- » UL Listed, CE Conform
- » Lighting fixture suitable for dry and damp locations

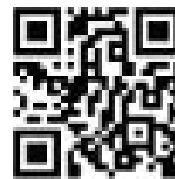
RESOURCES

Scan QR Code or visit at apurelighting.com/resources/

Compatible exclusively with Titus Flowbar™ FL-10 Border 22 Diffusers



Resources



Titus FL-10

